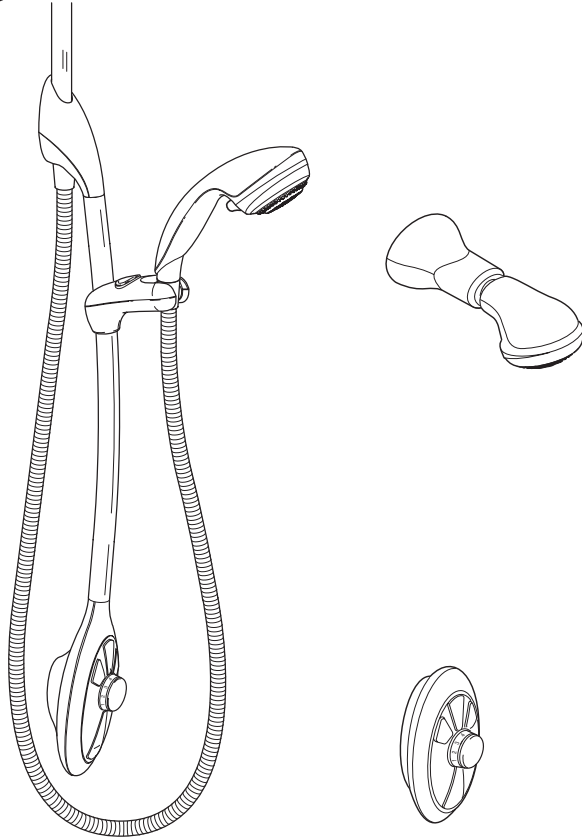


mira



magna



WATER DELIVERY SYSTEM

Installation & User Guide

THESE INSTRUCTIONS ARE TO BE LEFT WITH THE USER

Contents

Section	Page
Introduction	3
Important Safety Information	4
Pack Contents Checklist	5
Specifications	7
Installation	8
Commissioning	24
Operation	26
Fault Diagnosis	29
Cleaning	30
Accessories	30
Dimensions	31
Spare Parts	32
Guarantee, Customer Care Policy, and How to contact us	Back cover

If you experience any difficulty with the installation or operation of your new shower control, then please refer to "**Fault Diagnosis**", before contacting Kohler Mira Limited. Our telephone and fax numbers can be found on the back cover of this guide.

Introduction

Thank you for purchasing a quality Mira product. To enjoy the full potential of your new product, please take time to read this guide thoroughly, having done so, keep it handy for future reference.

The Mira Magna Water Delivery System works with the Mira Digital Mixer (DM) and this guide should be read in conjunction with the Mira Digital Mixer Installation and User Guide.

The Mira Magna Water Delivery System has a control panel/user interface that has push-buttons and a temperature control knob (refer to **Operation** for more details). This Installation and User Guide covers the following products:

Mira Magna Universal Variable Water Delivery System

An adjustable spray handset with four different spray actions (start, champagne, massage and eco), supplied complete with flexible hose, clamp bracket assembly, slide bar, supports and wall mounted soap dish. Available in chrome.

Mira Magna Built-in Rigid Water Delivery System (Bir)

An adjustable spray built-in shower head with four different spray actions (start, champagne, massage and eco), supplied with wall mounted soap dish. Suitable for connection to concealed pipework supplies only. Available in chrome.

Important Safety Information

Warning!

1. Products manufactured by us are safe and risk-free, provided that they are installed, used and maintained in good working order, in accordance with our instructions and recommendations.
2. Make sure that any pipework that could become frozen is properly insulated.
3. **DO NOT** operate this appliance if it is frozen. Allow the appliance to thaw before using. The shower unit must not be fitted where it may be exposed to freezing conditions.
4. This product is not suitable for areas with high humidity (i.e steam rooms). Please consult your installer.

Caution!

1. **Read all of these instructions and retain this guide for later use.**
2. The electrical installation must comply to “BS 7671 - Requirements for Electrical Installations”, commonly referred to as the IEE Wiring Regulations - Part 7, or any particular regulations and practices, specified by the local electricity supply company.
3. The plumbing installation must comply with the requirements of UK Water Regulations/Bye-laws (Scotland), Building Regulations or any particular regulations and practices, specified by the local water company or water undertakers. The installation should be carried out by a plumber or contractor who is registered, or is a member of, an association such as:
 - Institute of Plumbing (IOP), throughout the UK.
 - National Association of Plumbing, Heating and Mechanical Services Contractors (NAPH & MSC), England and Wales.
 - Scottish and Northern Ireland Plumbing Employers' Federation (SNIPEF), Scotland and Northern Ireland.
4. Anyone who may have difficulty understanding or operating the controls of any shower should be attended whilst showering. Particular consideration should be given to:
 - the young
 - the elderly
 - the infirm
 - the disabled
 - anyone who suffers from a medical condition that can result in temporary incapacity (e.g. epilepsy or blackouts).
 - anyone inexperienced in the correct operation of the controls.

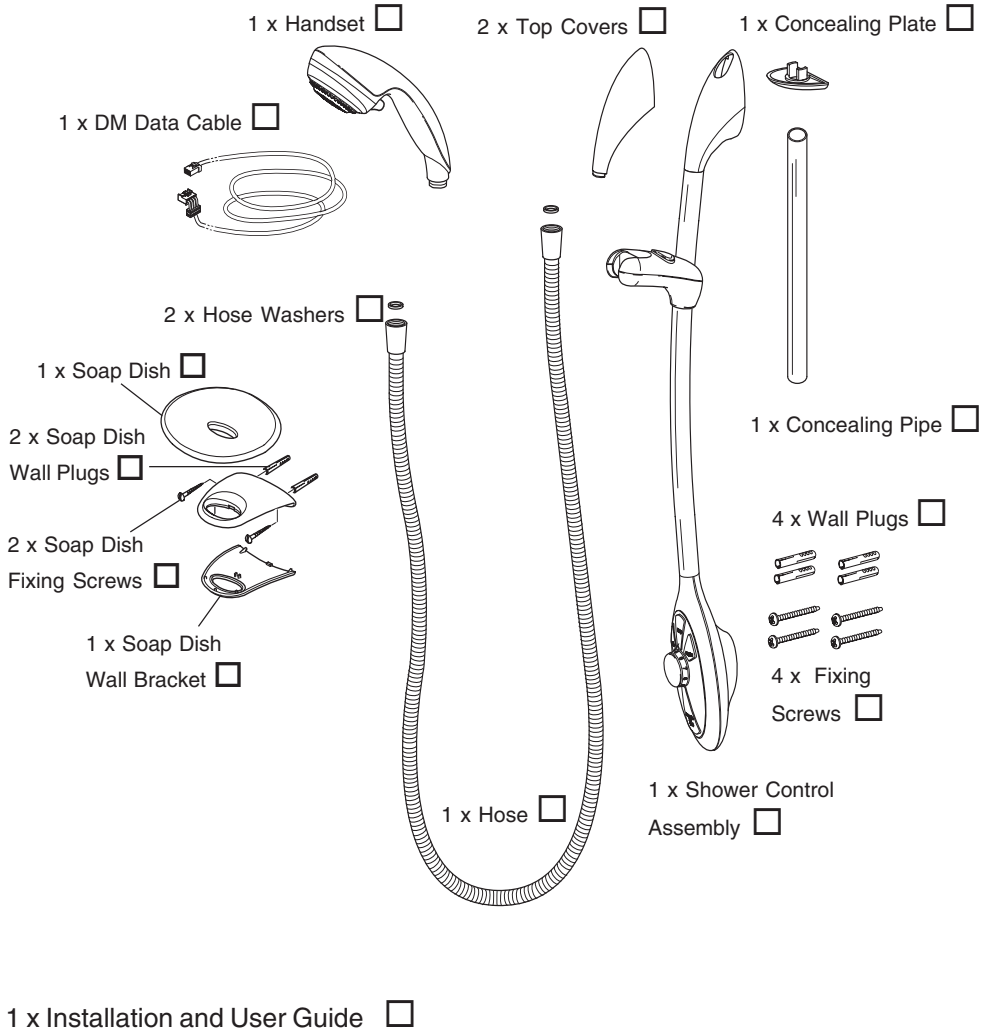
Standards and Approvals

1. The Mira Magna complies with all the relevant directives for CE marking.

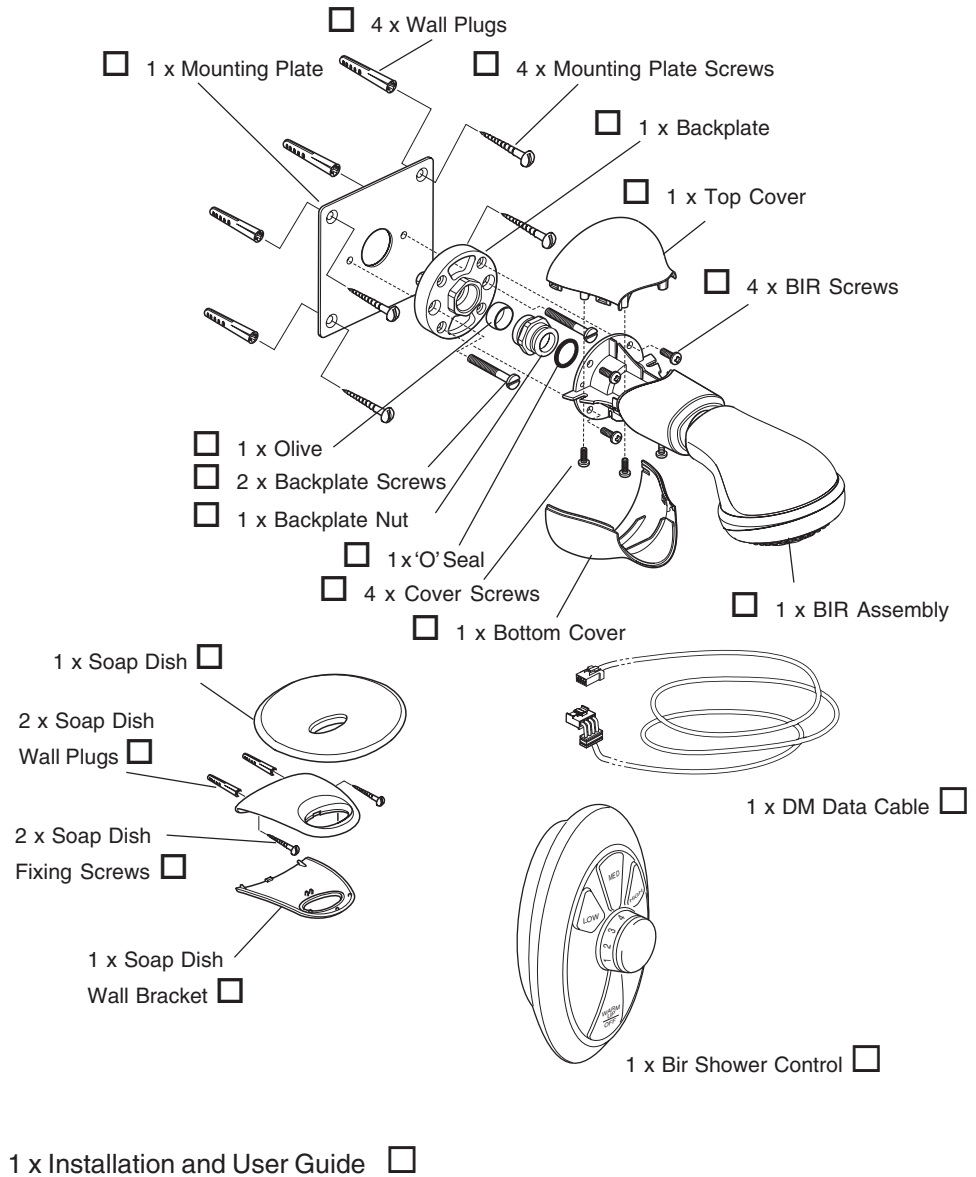
Pack Contents Checklist

Tick the appropriate boxes to familiarize yourself with the part names and to confirm that the parts are included.

1. Mira Magna UV Shower Control



2. Mira Magna Bir Shower Control



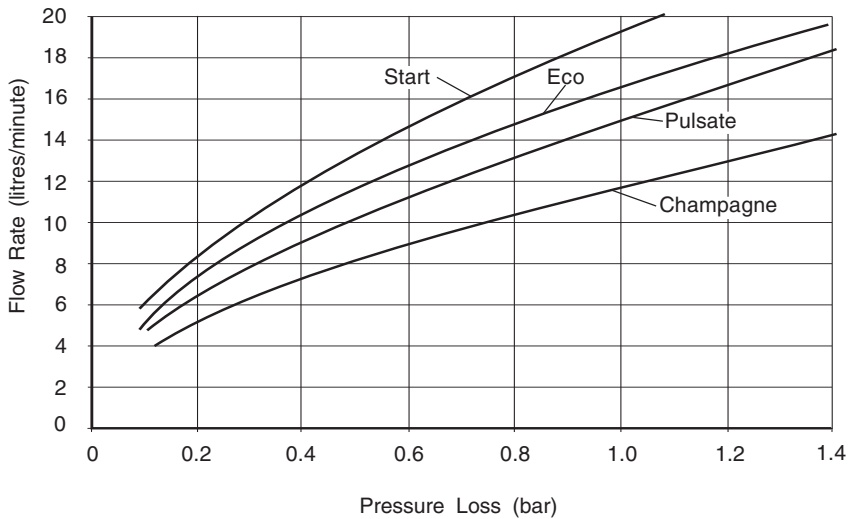
Specifications

Minimum maintained pressure: **0.4 bar (40kPa)**.

Maximum maintained pressure: **5.0 bar (500 kPa)**.

Warning! Exceeding the stated maximum maintained pressure could result in excessive spray forces and possible damage to the product.

This is the typical flow performance graph for the Mira Magna shower fittings only. There will be an additional pressure loss through the shower control.

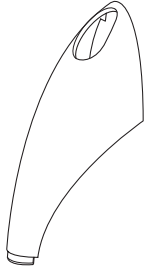


Pressure loss = Pressure difference between the inlet and outlet of the fitting.

1. Mira Magna UV

The water delivery system should be positioned at a convenient height for all the family.

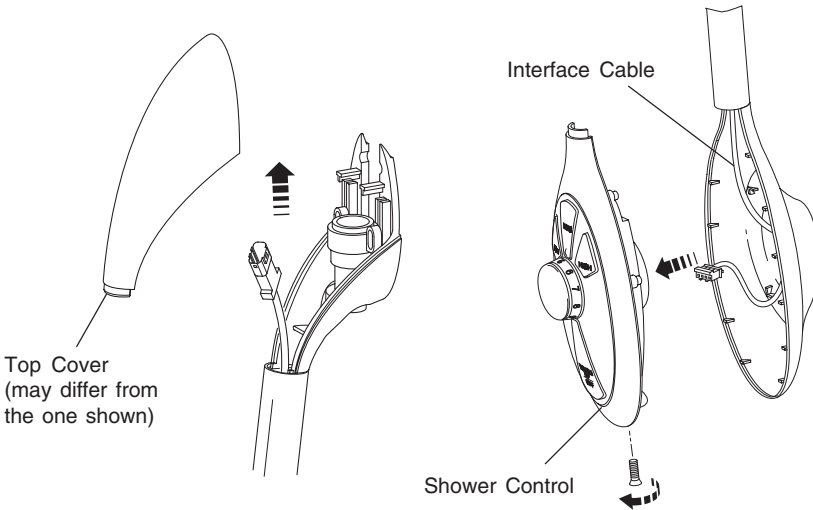
Cover used for
falling supply
option



Cover used for
rear entry
option



The water delivery system can be installed with a falling supply or rear entry supply. Depending on which supply option you decide, will dictate which top cover you use.



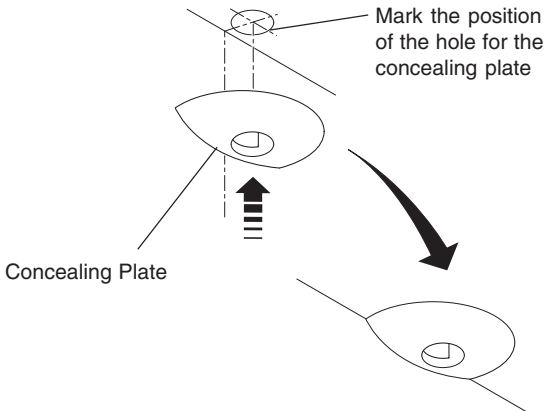
- 1.1. Carefully remove the top cover.
- 1.2. Remove the screw and remove the shower control. Disconnect the interface cable from the shower control.

2. Falling Supply

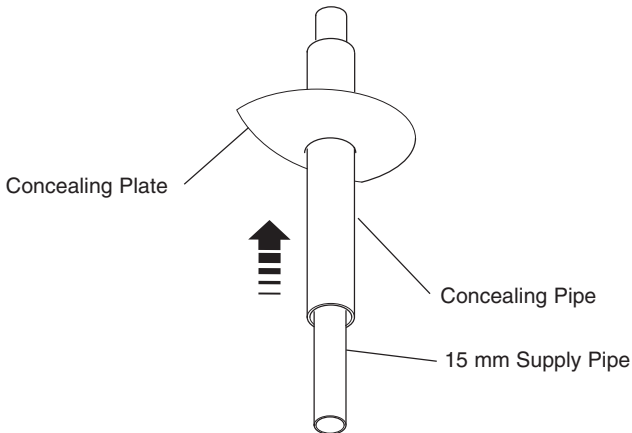
Note! The maximum cable length between the Digital Mixer and the Water Delivery System is 3.0 m. Ensure that the products are sited within this distance.

Note! This product is designed to be fitted to a full height fully tiled or flat waterproof wall surface.

If fitted to a partially tiled wall surface the top fitting and concealing plate may have to be spaced off the wall.



- 2.1.** Put the concealing plate against the ceiling and mark the centre position for the hole. Carefully drill a 24 mm hole in the ceiling.



- 2.2.** Fit the concealing plate over the concealing pipe.
- 2.3.** Temporarily insert a 15 mm supply pipe through the concealing pipe.

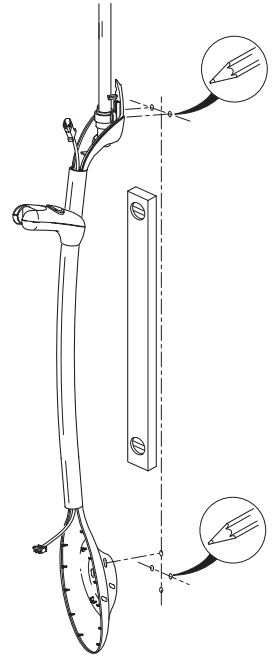
2.4. Caution! Make sure that the slide bar ends are fully pushed into the slide bar assembly.

Temporarily fit the slide bar assembly to the 15 mm supply pipe.

Push the pipe assembly through the hole in the ceiling.

Hold the slide bar assembly in position on the wall, and when it is level mark the positions of the fixing holes.

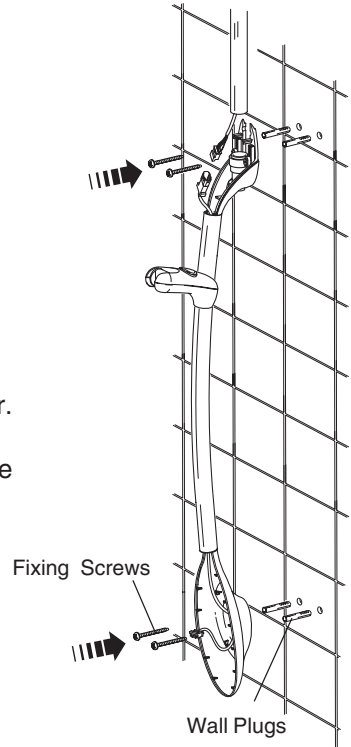
Note! Only 2 fixing holes are required on the bottom slide bar end. Use the most suitable fixing holes avoiding buried cable and pipes.

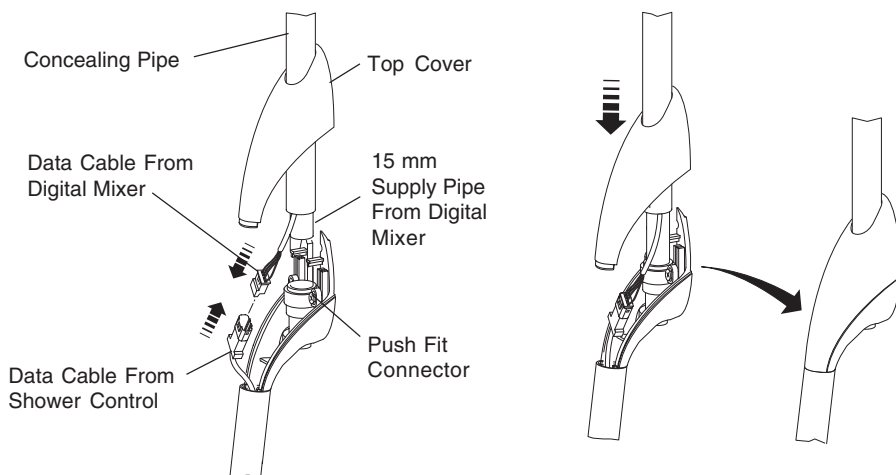


2.5. Remove the assembly from the wall and drill the fixing holes and fit the wall plugs.

2.6. Remove the pipe assembly from the slide bar.

Fit the slide bar assembly to the wall with the fixing screws.





- 2.7.** Cut the concealing pipe and the 15 mm supply pipe to length ensuring that the 15 mm supply pipe extends through the concealing pipe enough to make a connection to the outlet pipe from the Digital Mixer.

Caution! Do not use stainless steel piping for inlet pipework.

Caution! If chrome plated copper pipework is used then all traces of chrome plate must be removed from the connecting surfaces. If the chrome is not completely removed then the push fit connector will fail to grip the supply pipe and the pipe will be forced out of the push fit connector due to the water supply pressure.

- 2.8.** Make sure that the end of the supply pipework is cut squarely and **free from burrs** which can damage the push fit connector seals.

Chamfer the end of the pipe to assist insertion into the fitting and to prevent the 'O' seal tearing.

Note! PTFE tape or liquid jointing compound is **not** required to assist connection.

Caution! Do not insert fingers into the push fit connector as this can result in injury.

- 2.9. Important!** Once the pipe assembly has been cut to length, remove the 15 mm supply pipe from the concealing pipe.

- 2.10.** Fit the data cable from the Digital Mixer through the concealing pipe.

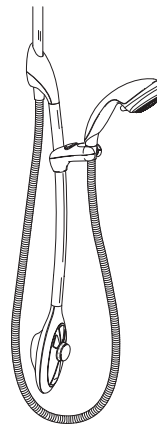
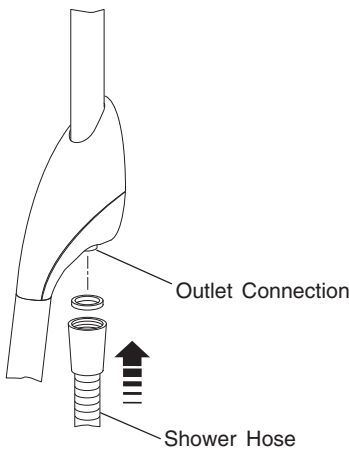
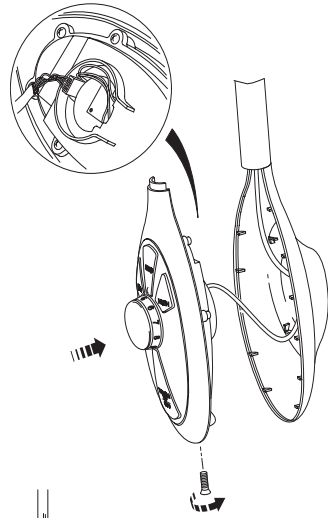
2.11. Carefully fit the 15 mm supply pipe through the concealing pipe and connect to the push fit connector.

Note! Make sure that you fit the top cover on the concealing pipe before you connect the pipework.

2.12. Join the data cables together.

2.13. Push the top cover onto the slide bar assembly.

2.14. Connect the data cable to the shower control. Fit the shower control to the slide bar end and secure in position with the screw.

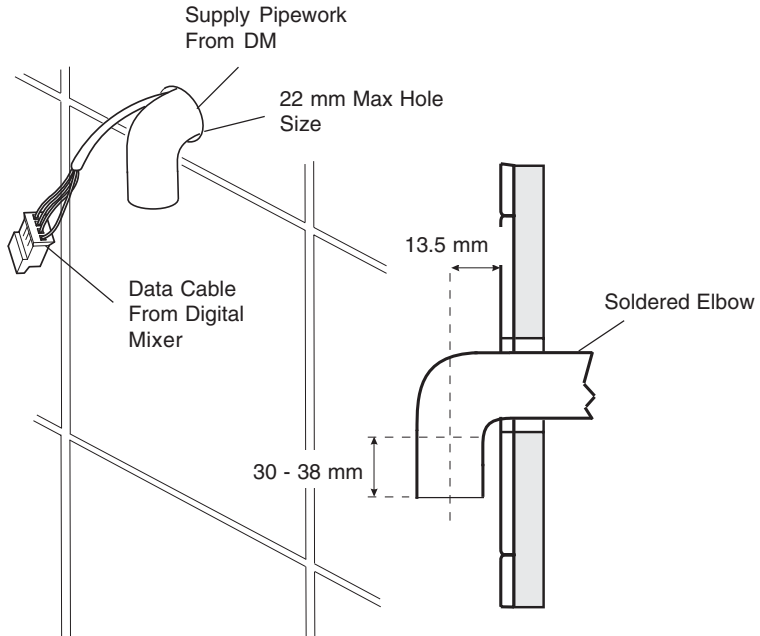


2.15. Fit the hose to the outlet connection and to the handset. Fit the handset into the clamp bracket.

2.16. Make the plumbing connections to the Digital Mixer.

3. Rear Entry Supply

Note! The maximum cable length between the Digital Mixer and the Water Delivery System is 3.0 m. Ensure that the products are sited within this distance.

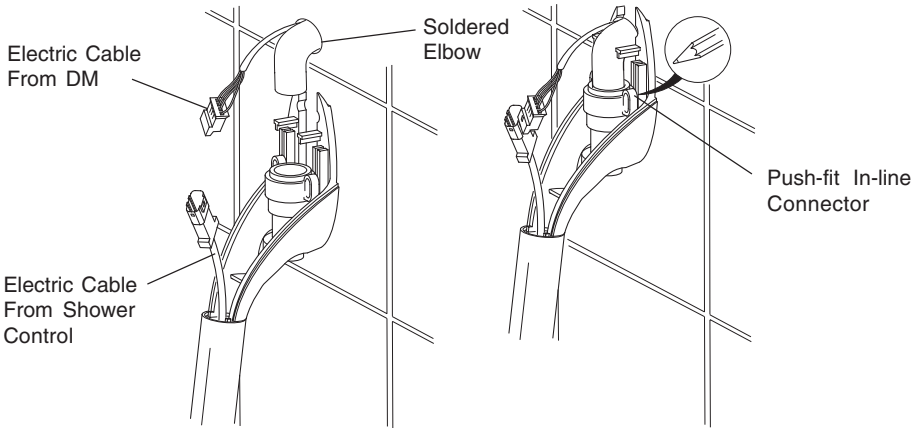


3.1. For rear entry supply pipework a soldered elbow must be used.

Make sure that the dimensions do not exceed the ones shown. If the dimensions exceed the ones shown you will not be able to fit the unit.

Caution! Pipework must not be soldered while attached to the water delivery system.

Make sure that the data cable and finished pipework protrude through the wall before the final finished wall surface is completed.



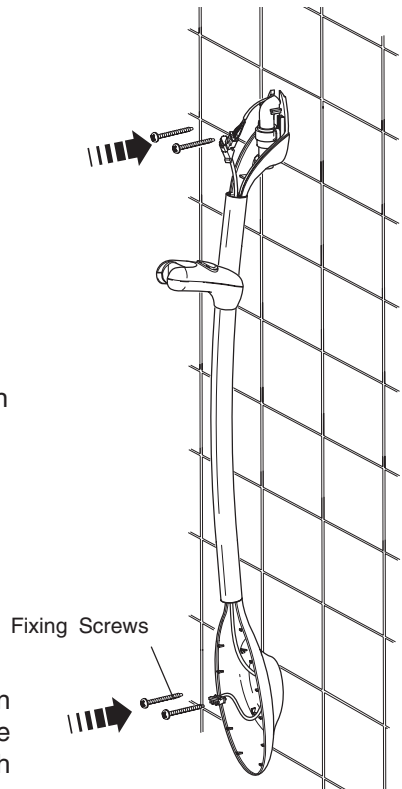
- 3.2.** Put the slide bar assembly in position on the wall and temporarily fit the soldered elbow into the push fit connector.

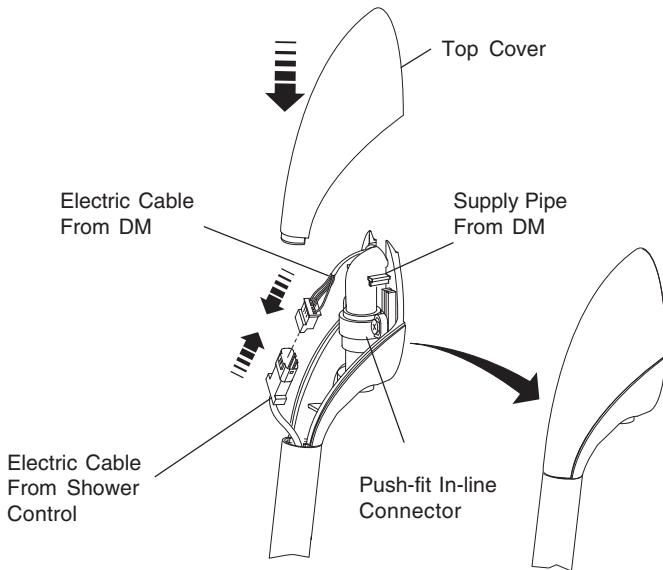
Caution! Make sure that the slide bar ends are fully pushed into the slide bar assembly.

Mark the positions of the top and the bottom fixing holes.

Note! Only 2 fixing holes are required on the bottom slide bar end. Use the most suitable fixing holes avoiding buried cable and pipes.

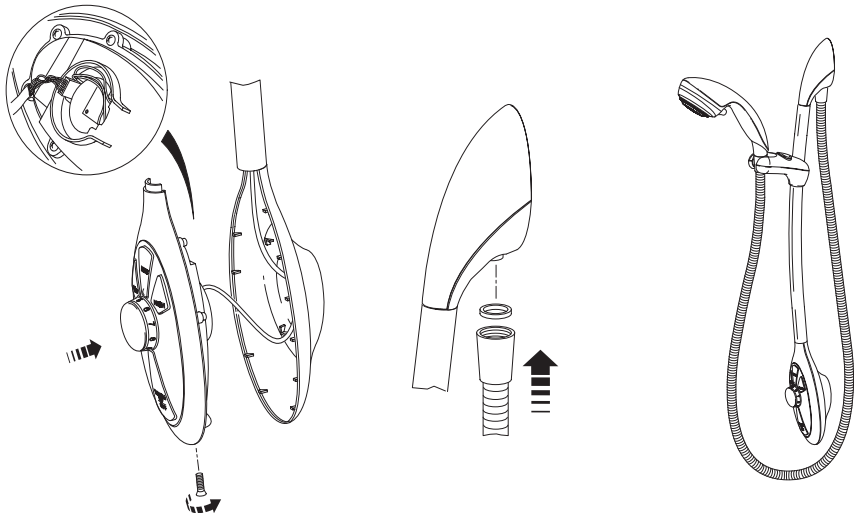
- 3.3.** Remove the product from the wall and drill the fixing holes and fit the wall plugs.
- 3.4.** Put the slide bar assembly in position on the wall and fit the soldered elbow into the push fit connector. Secure in position with the fixing screws.





3.5. Join the data cables together.

3.6. Fit the top cover.



3.7. Connect the data cable to the shower control. Fit the shower control to the side bar end and secure in position with the screw.

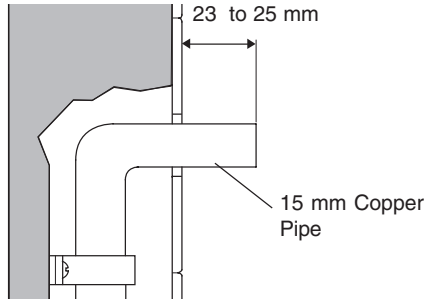
3.8. Fit the hose to the outlet connection and to the handset. Fit the handset into the clamp bracket.

3.9. Make the plumbing connections to the Digital Mixer.

Mira Magna Bir

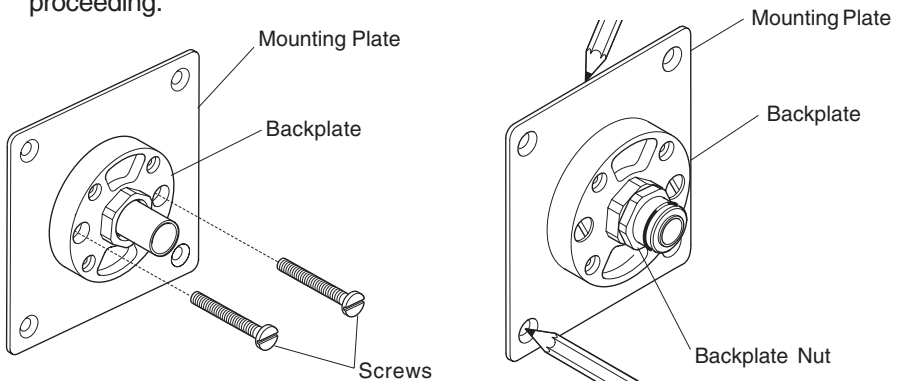
1. Solid and Dry-lined Walls

The bir spray head should be positioned at a convenient height for all the family. It should be positioned so that it discharges down the centre line of the bath, or across the opening of the shower cubicle and it should be directed away from the shower control. The pipework between the shower control and the backplate nut is not supplied as part of the shower fitting.



- 1.1. Fit recessed 15 mm copper pipe from the shower control and make sure the pipe will protrude through the **finished** wall surface by **23–25 mm**.

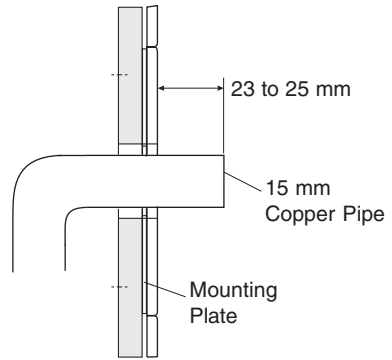
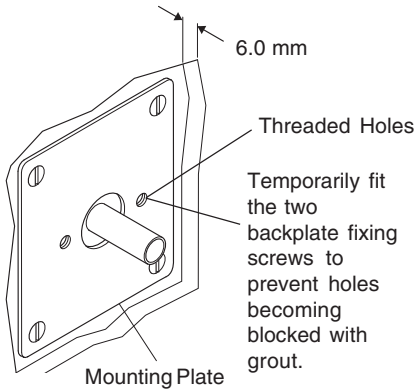
Note! If it is necessary to trim the pipe to length, remove any burrs before proceeding.



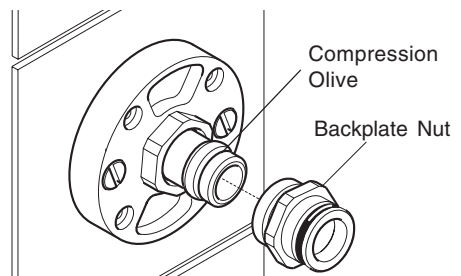
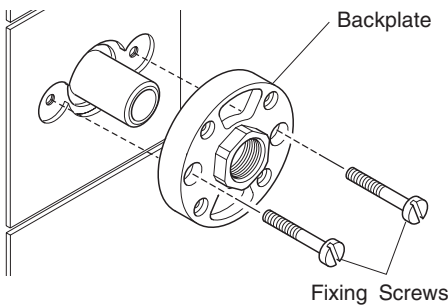
- 1.2. Loosely screw the backplate to the mounting plate with the two screws provided.
- 1.3. Place the mounting plate and backplate over the copper pipe.

Important! Make sure the recessed pipework is vertical.

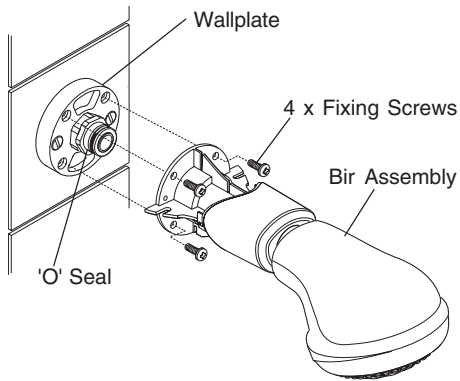
- 1.4. Fit and tighten the backplate nut sufficiently to hold the assembly against the wall.
- 1.5. Mark the position of the mounting plate and its fixing holes on the wall surface.
- 1.6. Remove the backplate nut, compression olive and the backplate/mounting plate assembly. Remove the screws and the wallplate from the mounting plate.



- 1.7. Drill the four mounting plate fixing holes. If necessary, make a recess approximately 6 mm deep to accept the mounting plate. Fit the four wall plugs (not supplied) to the fixing holes.
- 1.8. Fix the mounting plate to the wall with four screws (not supplied). The two threaded holes must be horizontal.
- 1.9. Temporarily fit the two backplate fixing screws into the mounting plate. This will prevent the fixing holes from becoming blocked with plaster or grout.
- 1.10. Finish the surface of the wall as required.
- 1.11. The copper pipe must protrude through the wall between 23 - 25mm from the finished surface of the wall. If the pipe protrudes further than 25mm it will prevent the backplate nut from engaging with the backplate. If necessary cut the pipe to the correct length and remove any burrs.

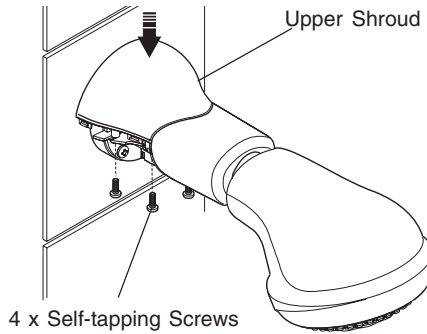


- 1.12. Fix the backplate to the wall using the two fixing screws.
- 1.13. Fit the compression olive over the copper pipe and tighten the backplate nut into position. Flats are provided on the wallplate and backplate nut for a 24 mm A/F spanner.

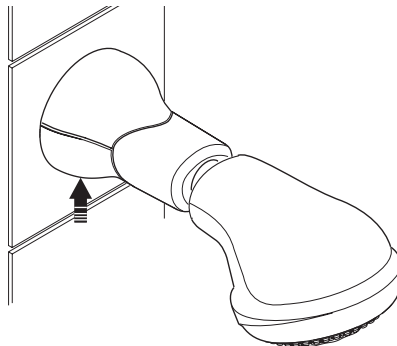


1.14. Make sure the 'O' seal is fitted on the backplate nut. Push the bir assembly over the backplate nut onto the wallplate.

1.15. Fix the bir assembly to the wall plate using the four screws provided.



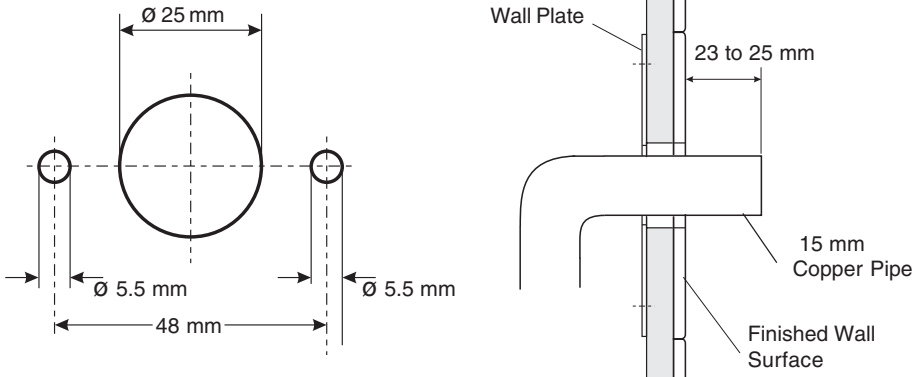
1.16. Fix the upper shroud to the bir assembly using the four self-tapping screws provided.



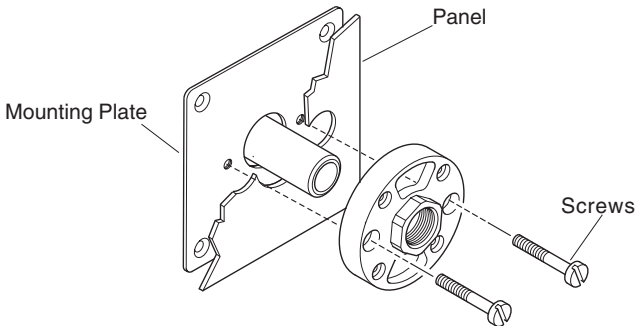
1.17. Snap the lower shroud into position.

2. Shower Cubicle, Laminated Panel or Stud Partition Walls

The bir spray head should be positioned at a convenient height for all the family. It should be positioned so that it discharges down the centre line of the bath, or across the opening of the shower cubicle and it should be directed away from the shower control. The pipework between the shower control and the backplate nut of the shower head is not supplied as part of the shower fitting.



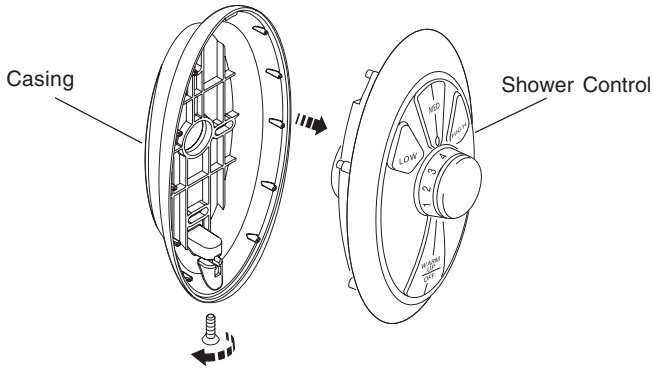
- 2.1. Cut a 25 mm hole in the panel and two 5.5 mm holes at 48 mm centres.
- 2.2. Feed the copper pipe through the mounting plate and panel. Make sure the pipe protrudes **at least 23 mm** from wall.
- 2.3. The copper pipe must protrude through the wall between 23 - 25mm from the finished surface of the wall. If the pipe protrudes further than 25mm it will prevent the backplate nut from engaging with the backplate. If necessary cut the pipe to the correct length and remove any burrs.



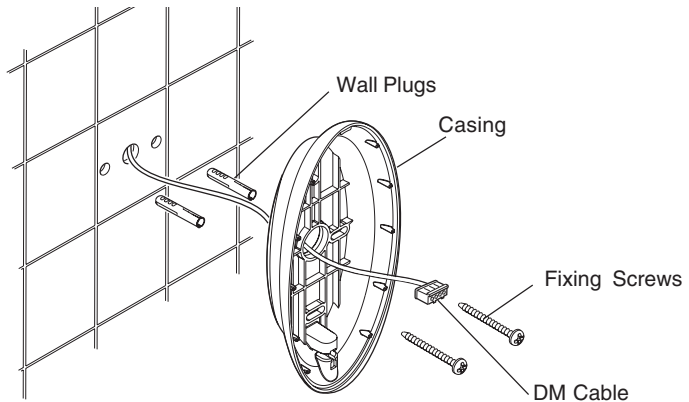
- 2.4. Hold the mounting plate in position behind the panel, place the backplate in front of the panel and insert the two backplate screws through the holes in the panel and fit them into the mounting plate and tighten.
- 2.5. To complete the installation of the bir fittings follow instructions 1.13. to 1.17. of "**Solid and Dry-lined Wall Installation**".

3. Bir Shower Control

The user interface should be positioned at a convenient height for all the family.



- 3.1 Remove the screw and separate the shower control from the casing.

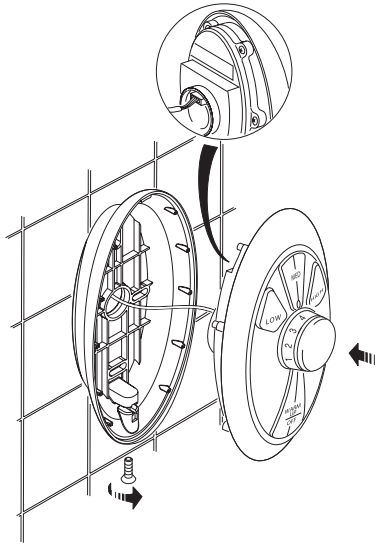


- 3.2. Hold the casing in position on the wall and mark the positions of the fixing holes and the position of the cable entry hole.
- 3.3. Drill the fixing holes, the cable entry hole and fit the wall plugs.

Caution! Make sure that you avoid hidden cable and pipes when drilling holes in the wall.

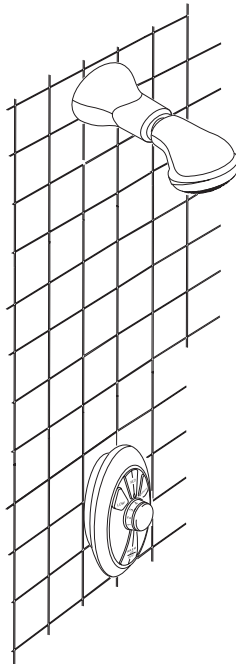
Note! The cable from the Mira DM will need to be routed from where the DM is installed.

- 3.4. Fit the casing to the wall with the fixing screws. Feed the DM cable through the central hole making sure that you do not damage the electrical connector.

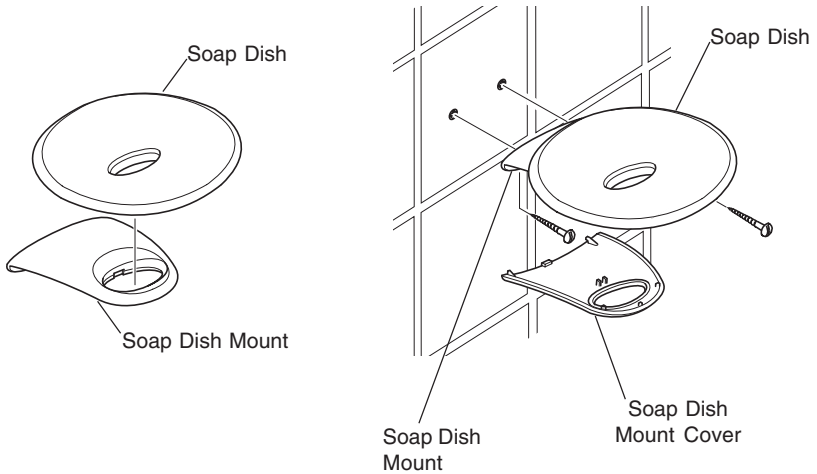


3.5. Fit the DM cable to the socket in the back of the shower control.

3.6. Fit the shower control in position and secure with the screw.



4. Soap Dish Installation



Caution! If the soap dish is not assembled according to the following instructions there is a risk of damage to the soap dish mount.

- 4.1. Decide on a suitable position for the soap dish, avoiding any buried cables and pipes.
- 4.2. Place the wall bracket on the wall and mark the position of the fixing holes.
Warning! Ensure there are no buried pipes or cables in the wall before drilling.
- 4.3. Drill two 6 mm fixing holes for the soap dish mount at 35 mm centres, and insert the wall plugs supplied.
- 4.4. Clip the soap dish onto the soap dish mount **before screwing the soap dish mount to the wall.**
- 4.5. Screw the soap dish mount to the wall.
- 4.6. Clip the soap dish mount cover onto the bottom of the soap dish mount.

Commissioning

1. General

- 1.1. Turn on the water supply.
- 1.2. Check for leaks.

2. Set the Maximum Temperature

Note! Allows you to set the maximum temperature of the unit. This can only be set when the unit has not been used for a period of 10 minutes.

2.1. Temperature Selection

Set the temperature control knob to the desired position, as per the table below.

Temperature Control Knob Position	Temperature Selection °C
1	Factory Set 45
2	39
3	40
4	42
5	43
6	44
7	45
7.5	46
8	47
9	48

2.2. Enabling

Press and momentarily hold the **Warm Up** and **High** keys at the same time. Release the push-button and reselect within 2 seconds. The two keys will flash twice and beep three times to confirm the selection is successful.

3. Lock Mode

Note! Allows you to lock the unit when operating.

3.1. Selection

Press and momentarily hold the **Warm Up** and **Medium** keys at the same time. The two keys will flash twice and beep three times to confirm the selection is successful.

3.2. Operation

This mode locks out all the keys except the **Warm Up/Off** key. It also locks the temperature control knob. Once selected it is only possible to turn the unit **OFF**.

Selecting **Warm Up/Off** and **Medium** at the same time again, cancels the lock mode.

The lock mode may be activated when the unit is **OFF** in which case the unit cannot be switched **ON** unless the mode is cancelled as above.

Removing power from the unit also cancels the mode.

4. Timeout

Note! Allows you to run the shower for a set period of time before it automatically shuts off. This can only be set when the unit has not been used for a period of 10 minutes.

4.1. Timeout Selection

Set the temperature control knob to the desired position, as per the table below.

Temperature Control Knob Position	Timeout (Minutes)
1	30
2	30
3	3
4	4
5	5
6	6
7	7
8	8
9	9

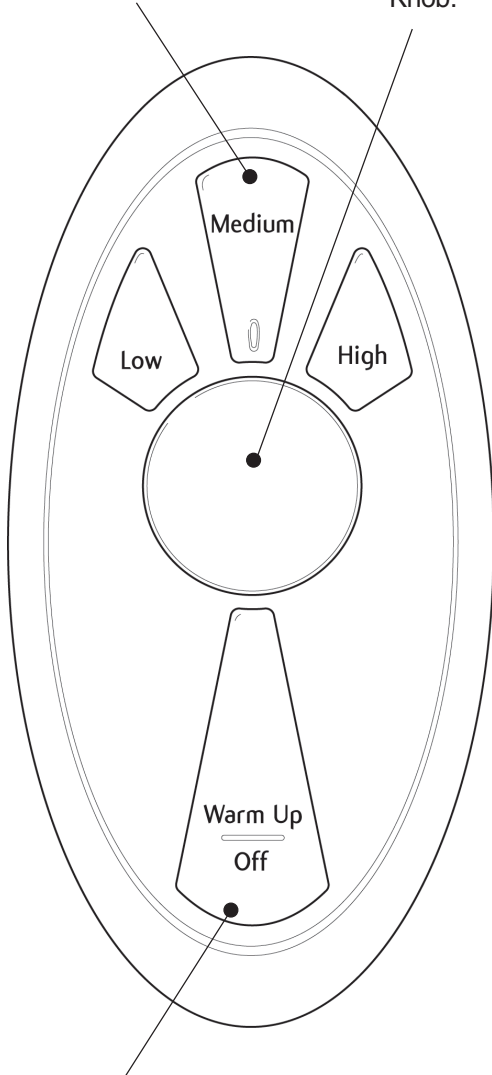
4.2. Enabling

Press and momentarily hold the **Warm Up** and **Low** keys at the same time. The two keys will flash twice and beep three times to confirm the selection is successful.

Operation

Low, Medium or High flow push-button. They glow **BLUE** when pressed.

Temperature Control Knob.



When power is supplied to the unit the **Warm Up/Off** push-button glows **BLUE**.

Warm Up Function (Optional)

1. Press the **Warm Up** push-button.
2. The unit delays turning on to allow you to get out of the shower.
3. The **Warm Up** push-button flashes for a number of seconds until water comes out of the handset at the desired temperature.
4. When the water is at the desired temperature the unit turns off waiting for you to shower.

To Operate the Shower

1. Press the **Low, Medium or High** flow push-button.
2. Water will come out of the handset at the desired temperature.
3. To alter the showering temperature, turn the temperature control knob.

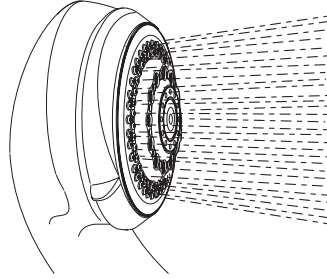
Whilst the showering temperature stabilises, the selected flow push-button will flash.

4. Press the **Off** push-button at the end of your shower.

The handset or spray head (Bir) has three different spray actions (start, champagne and massage) and an eco setting. The operation of the adjustable handset and the Bir is identical. The handset operation is described.

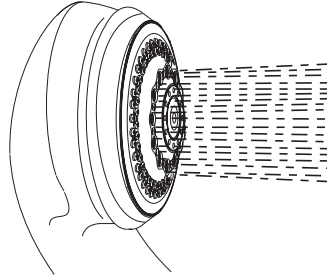
1. **Start:** Water flows from the outer set of holes.

To select the Start setting, turn the spray plate anticlockwise from the full clockwise position until it clicks once.



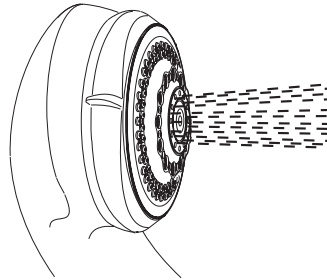
2. **Champagne:** Water flows from the middle set of holes.

To select the Soothe setting, turn the spray plate anticlockwise from the full clockwise position until it clicks twice.



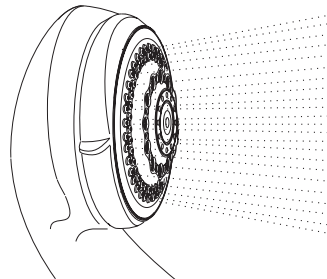
3. **Massage:** Water flows from the inner set of holes.

To select the Force setting, turn the spray plate anticlockwise from the full clockwise position until it clicks three times.



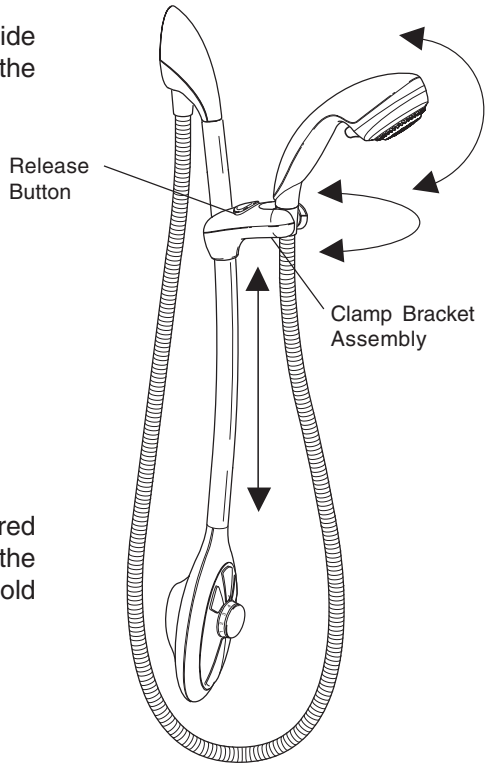
4. **Eco:** Water flows from the outer set of holes at a reduced flow rate.

To select the Economy setting, turn the spray plate fully clockwise.



Clamp Bracket Adjustment Universal Variable

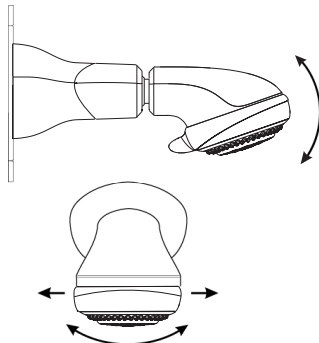
1. Press the release button and slide the clamp bracket assembly to the desired position.



2. Move the handset to the desired angle. A friction mechanism in the clamp bracket assembly will hold the handset.

Showerhead Adjustment (Bir Fittings Only)

Move the spray head to the required position. The spray head is adjustable in both the horizontal and vertical directions.



Fault Diagnosis

Fault Diagnosis

The trouble shooting information below gives details on what you can do as a user should you encounter difficulties whilst operating the shower.

If there is a problem with the shower control some of the push buttons will flash very fast.

Malfunction	Cause	Remedy
Push buttons are flashing on the shower control and / or the shower will not operate.	<p>Water supply isolated.</p> <p>Damaged or broken cable connection.</p> <p>Electrical supply isolated or fuse blown.</p> <p>DM Valve breakdown.</p>	<p>Check water supply.</p> <p>Check cable connections</p> <p>Check electrical supply.</p> <p>Isolate electrical supply and turn back on after 30 seconds.</p> <p>If the problem still persists note the sequence of the flashing push buttons and contact Customer Services.</p>
No flow or low flow rate from the Shower Fittings.	<p>Spray plate assembly blocked.</p> <p>Hose blocked or twisted.</p>	<p>Refer to Cleaning.</p> <p>Clear blockage or release twist in hose.</p>
Drip from spray plate assembly on handset or bir assembly.	<p>A small amount of water may be retained in the shower fitting after the shower control has been turned off. This may drain over a few minutes.</p> <p>DM valve malfunction.</p>	<p>This is quite normal. Changing the angle of the shower fitting may vary the draining time.</p> <p>Solenoid fault. May require cleaning or replacement. Contact Customer Services.</p>

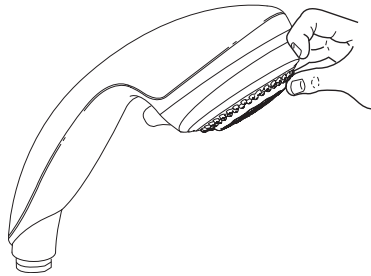
Malfunction	Cause	Remedy
Incorrect shower temperature.	<p>Maximum temperature incorrectly set.</p> <p>Digital Mixer incorrectly fitted.</p>	<p>Refer to Commissioning, Maximum temperature setting.</p> <p>Make sure that the hot and cold water supplies are connected correctly.</p>

Cleaning

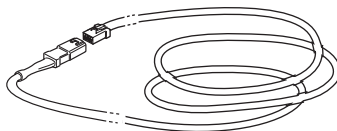
Cleaning

Many household cleaners contain abrasives and chemical substances, and should not be used for cleaning plated or plastic fittings. These finishes should be cleaned with a mild washing up detergent or soap solution, and then wiped dry using a soft cloth.

To avoid limescale, use your thumb or a soft cloth to wipe any limescale from the soft rubber nozzles and the front face of the showerhead.



Accessories

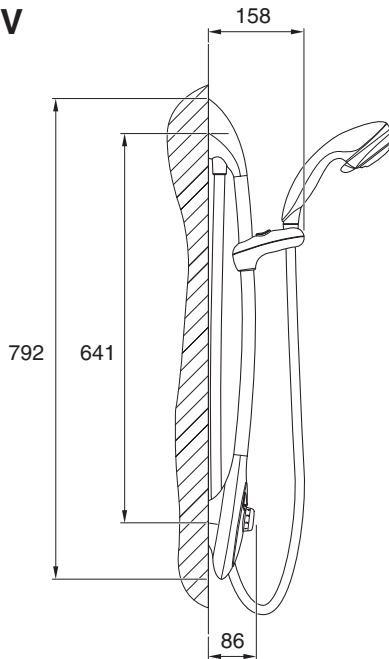


3 Metre Electrical Cable

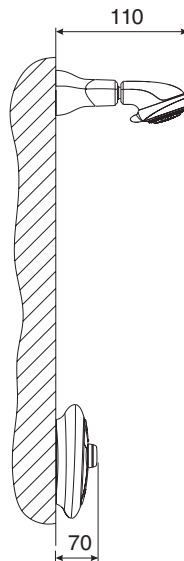
Extension Lead Additional 3 metre extension lead for connection of the water delivery system to the Digital Mixer.

Dimensions

1. Mira Magna UV



2. Mira Magna Bir



All dimensions are nominal and in millimetres

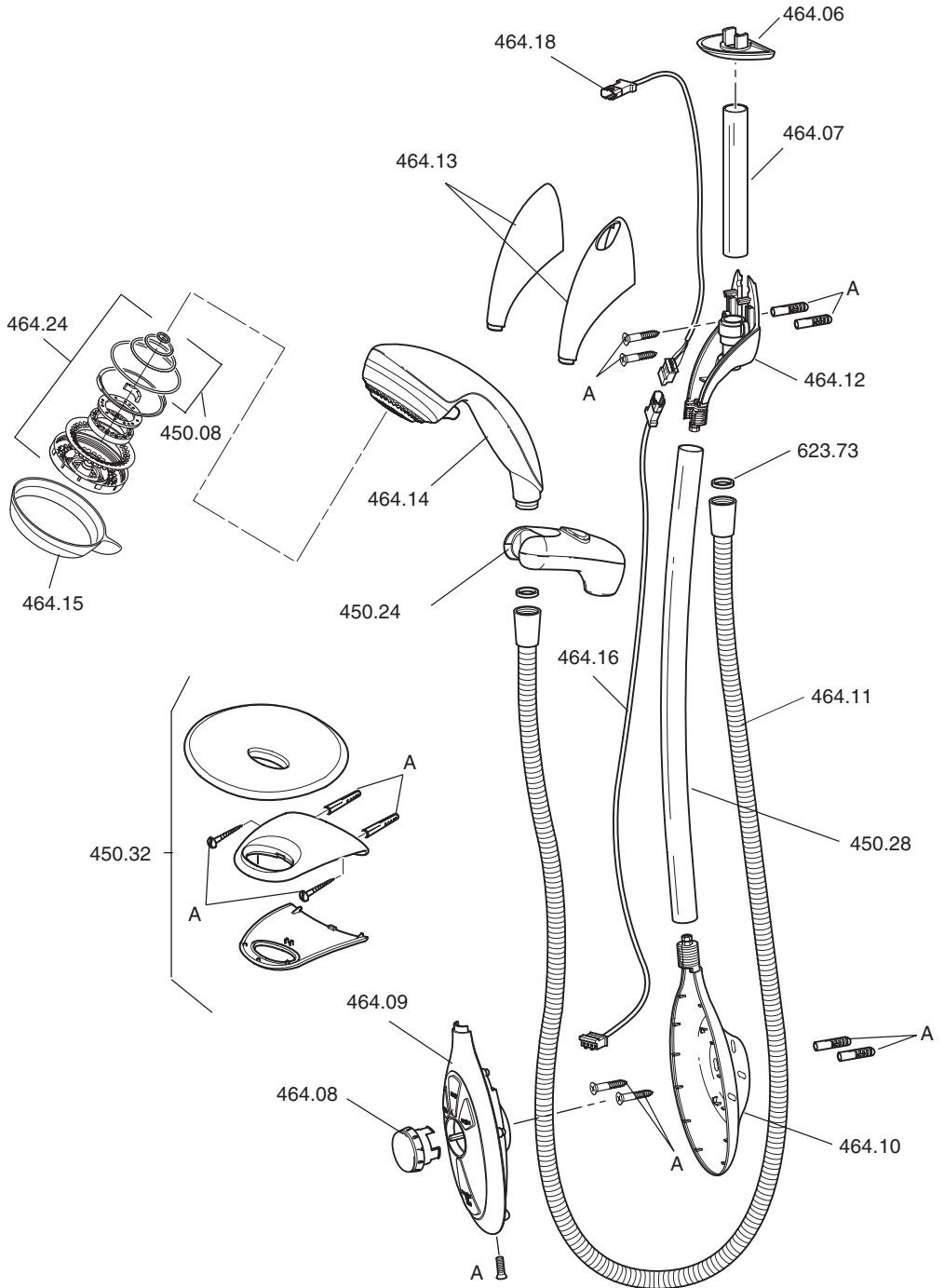
Spare Parts

Magna UV Spare Parts List

450.24	Clamp Bracket Assembly – chrome
450.28	Slide Bar - chrome
450.32	Soap Dish Pack – chrome
464.06	Concealing Plate
464.07	Concealing Pipe
464.08	Temperature Knob
464.09	User Interface Front + PCB
464.10	User Interface Rear Case
464.11	Hose 1.75 m
464.12	Upper Support Bracket
464.13	Upper Support Shrouds
464.14	Magna Handset Assembly
464.15	Magna Adjuster Ring UV
464.16	Data Cable
464.17	Screw Pack - components identified 'A'
464.18	Control Box Cable
464.24	Magna Spray Plate Pack
632.73	Hose Washer

ACCESSORIES

463.79	Extension Lead - 3 m
--------	----------------------



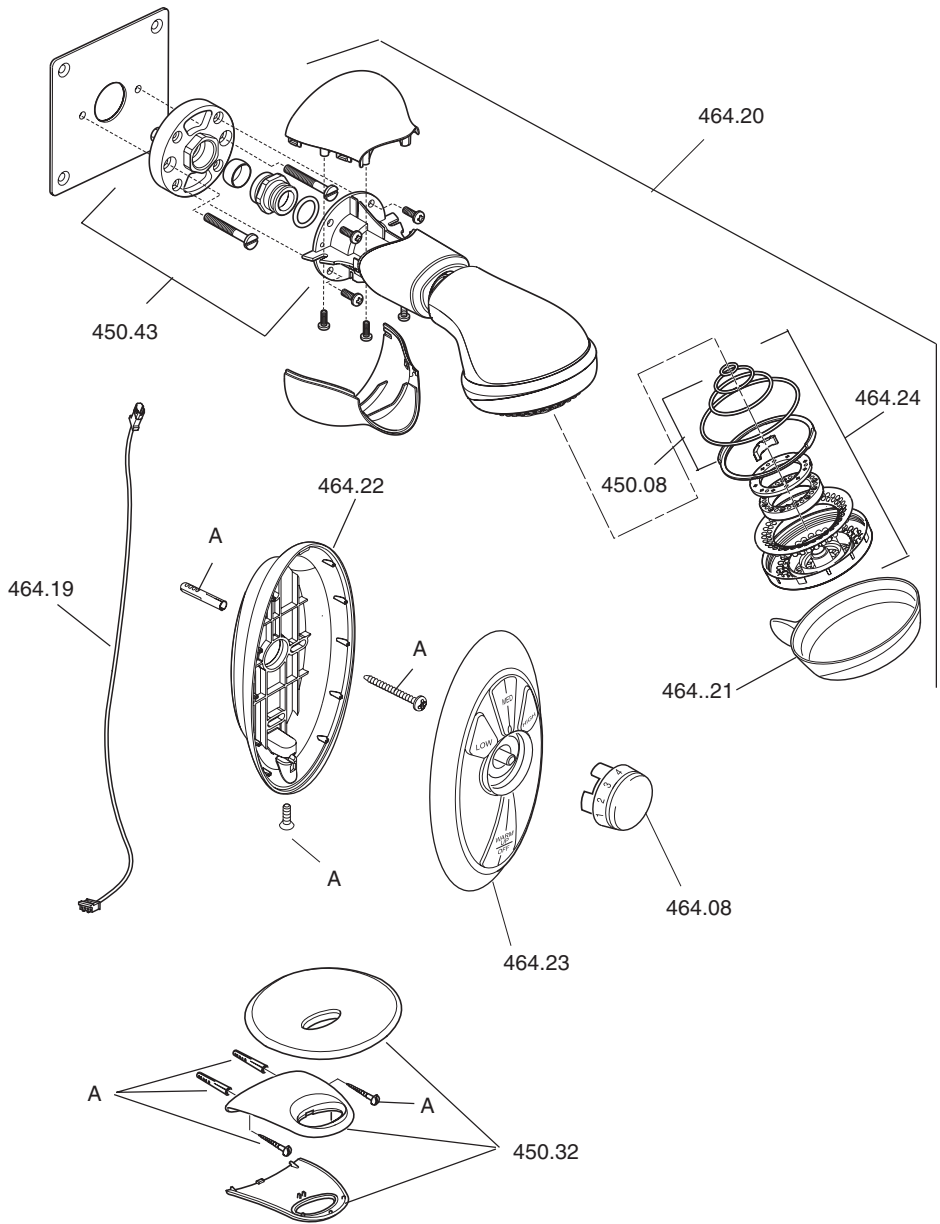
Spare Parts

Mira Magna Bir Spare Parts List

450.08	Service Pack "O"Seals
450.32	Soap Dish Pack
450.43	Bir Mounting Pack - (Consisting of Back Plate Nut, 'O' Seal, Olive, Back Plate, Wallplate, 2 off M5 x 40 Screws and 4 off M4 x 12 Screws)
464.08	Temperature Knob
464.17	Screw Pack - components identified 'A'
464.19	Bir Data Cable
464.20	Magna Bir Power Assembly
464.21	Magna Adjuster Ring Bir
464.22	User Interface Rear Case
464.23	User Interface Front + PCB
464.24	Magna Spray Plate Pack

ACCESSORIES

463.79	Extension Lead - 3 m
--------	----------------------



Customer Service

Guarantee of Quality

Mira Showers guarantee your product against any defect in materials or workmanship for the period shown in the Guarantee Registration Document included with your shower.

Alternatively, to confirm the applicable guarantee period please contact Customer Services.

To validate the guarantee, please return your completed registration card.

Within the guarantee period we will resolve defects, free of charge, by repairing or replacing parts or modules as we may choose.

To be free of charge, service work must only be undertaken by Mira Showers or our approved agents in Northern Ireland and Republic of Ireland.

Service under this guarantee does not affect the expiry date. The guarantee on any exchanged parts or product ends when the normal product guarantee period expires.

Not covered by this guarantee:

Damage or defects arising from incorrect installation, improper use or lack of maintenance, including build-up of limescale.

Damage or defects if the product is taken apart, repaired or modified by any person not authorised by Mira Showers or our approved agents.

This guarantee is in addition to your statutory and other legal rights.

Before using your shower

Please take the time to read and understand the operating and safety instructions detailed in this manual.

What to do if something goes wrong

If when you first use your shower it doesn't function correctly, first contact your installer to check that installation and commissioning are satisfactory and in accordance with the instructions in this manual. We are on-hand to offer you or your installer any advice you may need.

Should this not resolve the difficulty, simply contact our Customer Services who will give every assistance, and if necessary arrange for our service engineer to visit.

If later the performance of your shower declines, consult this manual to see whether simple home maintenance is required. Please call our Customer Services to talk the difficulty through, request service under guarantee if applicable, or take advantage of our comprehensive After-Sales service.

As part of our quality and training programme calls may be recorded or monitored.

Our Customer Services Team is comprehensively trained to provide every assistance you may need: help and advice, spare parts or a service visit.

Spare Parts

We maintain an extensive stock of spares, and aim to have functional parts available for ten years from the date of final manufacture of the product.

Spares can be purchased from approved stockists or merchants (locations on request) or direct from Customer Services.

Spares direct will normally be despatched within two working days. Payment can be made by Visa or Mastercard at the time of ordering. Should payment by cheque be preferred a pro-forma invoice will be sent.

Note! In the interests of safety, spares requiring exposure to mains voltages can only be sent to competent persons.

Service

Our Service Force is available to provide a quality service at a reasonable cost. You will have the assurance of a Mira trained engineer/agent, genuine Mira spares—and a 12 month guarantee on the repair.

Payment should be made directly to the Service Engineer/Agent, using Visa, Mastercard or a cheque supported by a banker's card.

To contact us

England, Scotland & Wales

Mira Showers Customer Services

Telephone: 0870 241 0888

8:30 am to 5:00 pm Working days (4:30 pm Friday)

8:30 am to 12:30 pm Saturday

E-mail: technical@mirashowers.com

Fax: 01242 282595

By Post: Cromwell Road

Cheltenham

Gloucester GL52 5EP

Northern Ireland

Wm H Leech & Son Ltd

Telephone: 028 9044 9257 – Mon to Fri 9 am–5 pm

Fax: 028 9044 9234 – 24 hours

Post: Maryland Industrial Estate

Ballygowan Road

Moneyreagh, Co Down

BT23 6BL

Republic of Ireland

Modern Plant Ltd

Telephone: 01 4591344 – Mon to Fri 9 am to 5 pm

Fax: Dublin 01 4592329 – 24 hours

Post: Otter House

Naas Road

Clondalkin

Dublin 22

Mira Showers

Kohler Mira Ltd.

Cromwell Road,
Cheltenham GL52 5EP.

Mira is a registered trade mark of Kohler Mira Limited.

The company reserves the right to alter product specifications without notice.



BS EN ISO 9001 : 1994
Reg. No. FM 14648

mira
magna